

PR400

400 Hz CONNECTORS

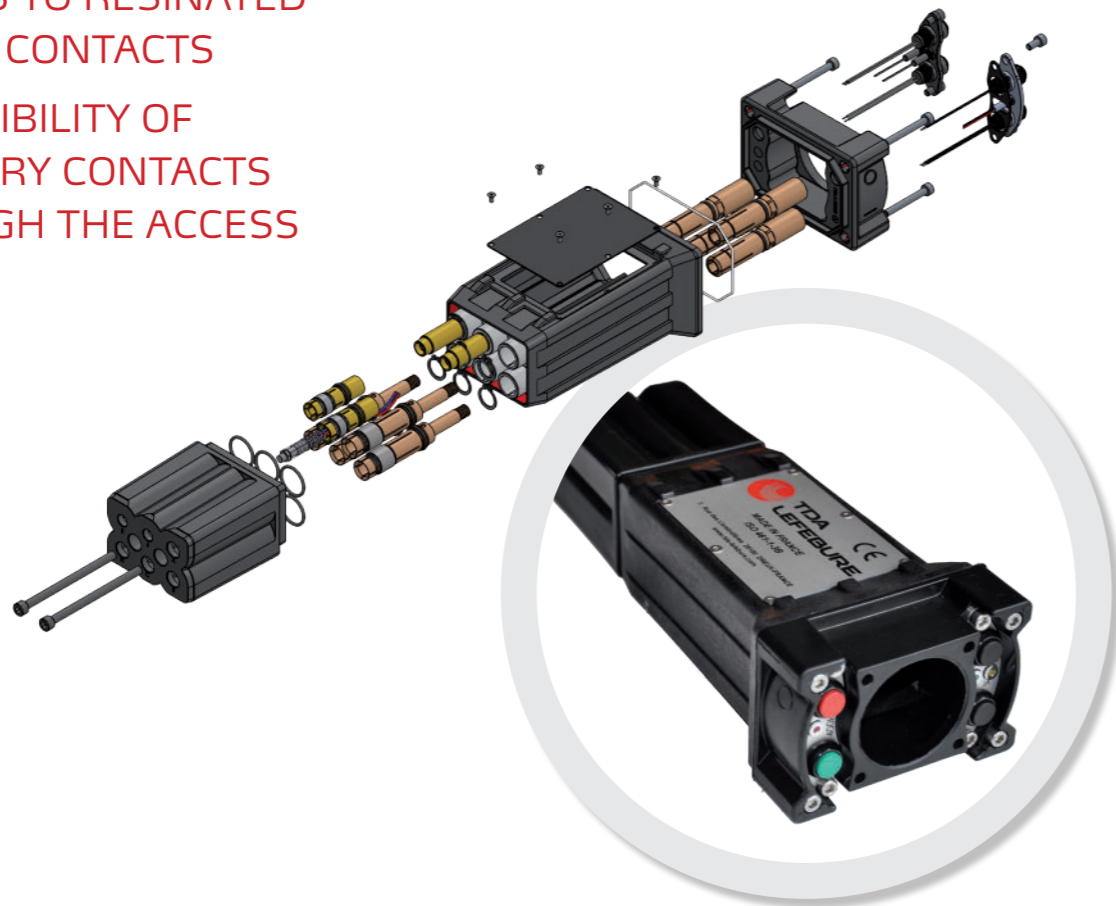


CONNECTING THE AIRCRAFT
ON THE GROUND

PR400

400 Hz CONNECTORS

- ISO461-1
- LED AND SWITCHES EASILY REPLACEABLE
- IP67
- LIGHT WEIGHT
- ALUMINUM SWITCHES BASE PLATES AND ACCESS COVER
- WIDE OPERATING TEMPERATURE RANGE
- REPLACEABLE NOSE
- ENHANCED SAFETY THANKS TO RESINATED POWER CONTACTS
- ACCESSIBILITY OF AUXILIARY CONTACTS THROUGH THE ACCESS HATCH



TECHNICAL FEATURES

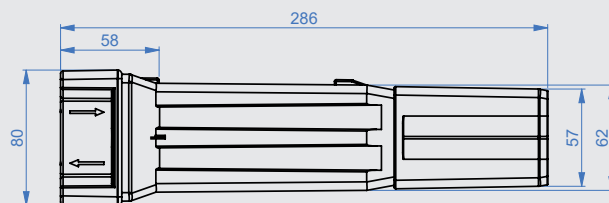
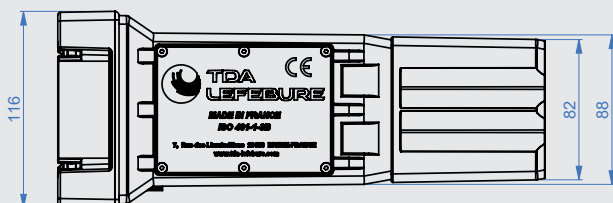
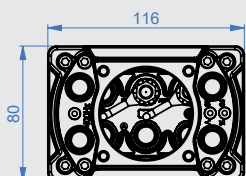
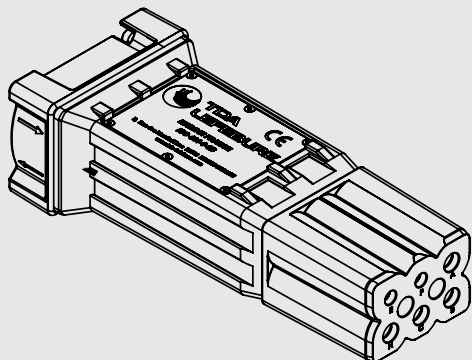


- **Nominal voltage**
115/200 V, 400 Hz
- **Current carrying capacity (cont)**
450 A (power), 35 A (control)
- **Current overload**
1500 A for 1 min (power)
- **High-voltage test**
4000 V
- **Operating temperature**
-25°C to + 90°C (includes temperature rise)
- **Ingress protection**
IP67A
- **Mating forces**
As per ISO 461-1
- **Weight**
2.7 kg
- **Applicable standards**
ISO 461-1, ISO 461-2, BS 4G 173-1, VG 96966-1, MIL-C-7974D
- **Compatibility**
Mates with ISO 461-2 and MS90362 receptacles
- **Options**
 - T°C sensor
 - 90% insertion contact
- **Fully configurable**
 - With or without switches
 - Wide range of conductor sizes:
3X(50/20), 3X(70/25), 7X35, 7X25, 4X70, 4X50...



PR400

CONFIGURATIONS



Part numbers (other configuration on request)

	On/Off switches	Input/Output switches	1 LED	3 LED	PEN 50 to 75 mm ²	PEN 25 to 35 mm ²	T°C sensor
PRI-00001-A					X		
PRI-00002-A			X		X		
PRI-00003-A	X			X	X		
PRI-00004-A	X	X		X	X		
PRI-00005-A						X	
PRI-00006-A			X			X	
PRI-00007-A	X			X		X	
PRI-00008-A	X	X		X		X	
PRI-00009-A					X		X
PRI-00010-A			X		X		X
PRI-00011-A	X			X	X		X
PRI-00012-A	X	X		X	X		X
PRI-00013-A						X	X
PRI-00014-A			X			X	X
PRI-00015-A	X			X		X	X
PRI-00016-A	X	X		X		X	X



CONNECTING THE AIRCRAFT
ON THE GROUND

7 rue des Livraindières
28100 DREUX • France
Tél. + 33 2 37 51 41 72
Fax. + 33 2 37 51 97 99
info@tda-lefebure.com
www.tda-lefebure.com