

HPO 400 mini pit for airport and maintenance hangar

The HPO 400 mini pit is part of the HPO (Hatch and Pop Out) pits product line for the connection of the aircraft to external utilities.

It gives access to a 400 Hz or 28VDC aircraft connection cable.

The “Pop Out” systems eases the access to the cables and the connectors, by presenting them 60 cm above ground.

The Hatch caters for a use in closed position, once the connections have been made.

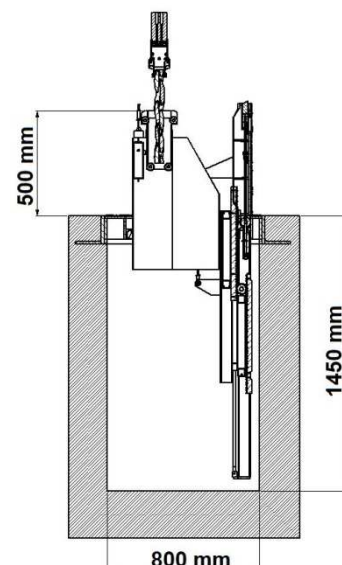
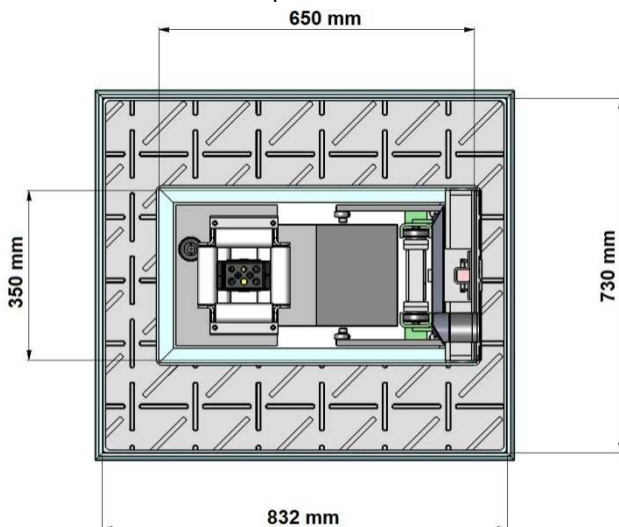
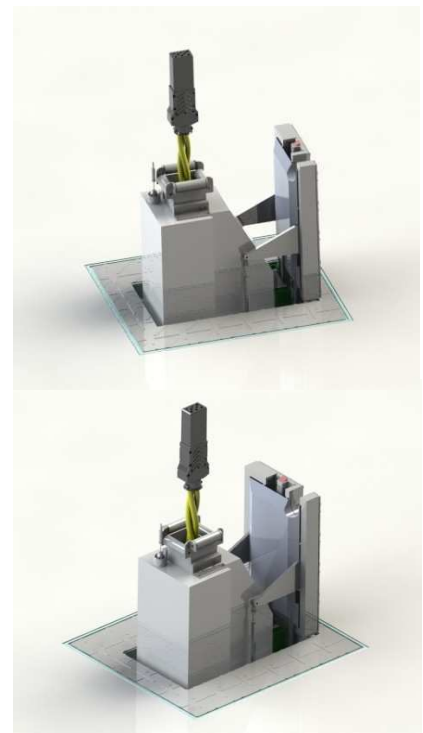
The lining principle eases the extraction of the mechanism from the pit, for a fast and effortless maintenance.

Advantages:

- ✓ Pit working in closed position
- ✓ Connectors and sockets presented at hand's level
- ✓ Frame to seal in the ground and lined frame carrying the hatch are independent:
 - ✓ Eases the installation (sealing of the frame before assembly on site)
 - ✓ Eases the maintenance (easy extraction of the components)
- ✓ Multi-hatch option: selective access to the required connections
- ✓ The Pop-Out system closes the gap and prevents from falling in the pit
- ✓ Load resistance: according to EN 124 class F900 (90 T)

Characteristics and options:

- ✓ Mini hatch (1 to 8 hatches): 65 cm x 35,5 cm per hatch
- ✓ Opening assisted by gas springs (option: electric motor)
- ✓ Sump pump in the pit (option)
- ✓ Emergency shut off (option)
- ✓ Switch for working in closed position only (option)
- ✓ 400 Hz cable basket (for multiple hatches and cables)
- ✓ 400 Hz cable: Leoni Studer Betajet 400 FRNC Deltaflex 3x(50 mm² + 20 mm² concentric PEN), fitted with an Anderson Airmotive RG91 connector (other cable types upon request)
- ✓ Alternative option: 28VDC cable and connector



TDA Lefebure : 36, fg Valmorin – 28 210 NOGENT LE ROI - France

☎ + 33 2 37 51 41 72 📠 + 33 2 37 51 97 99

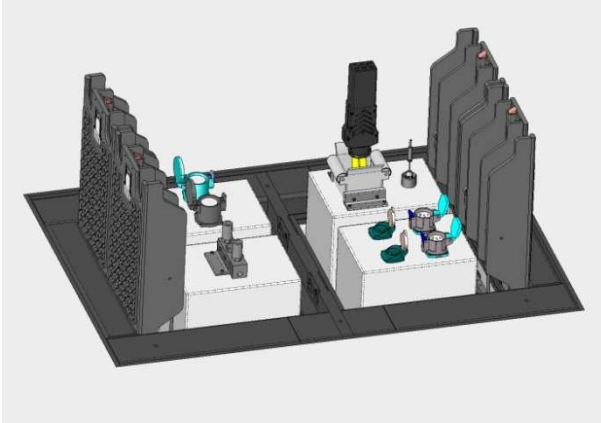
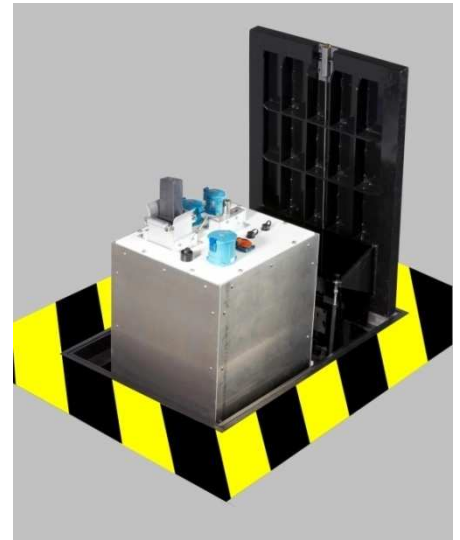
e-mail : cgeorges-picot@tda-lefebure.com

Other pit models of the HPO product line

Configuration and equipment examples

Single hatch pit with Pop Out system,
for maintenance hangars, containing:

- One 400 Hz aircraft cable
- One 125 A 50 Hz 400V three phase socket
- Two 32 A 50 Hz 240 V sockets
- One 24 V 50 Hz socket
- Two RJ45 connectors
- One compressed air connector
- One earthing cable reel



Four-flap pit with Pop Out system,

For maintenance hangar, containing:

- One 400 Hz aircraft cable
- One earthing cable reel
- Six 50 Hz, 60 Hz or DC sockets
- Two compressed air connectors

Dimension of each flap: 65 cm x 35,5 cm

Available in 1, 2, 3, 4, 6 or 8 flaps configuration



PCA pit

With vertical storage of the PCA
hose and tulip shaped hose
guiding system

